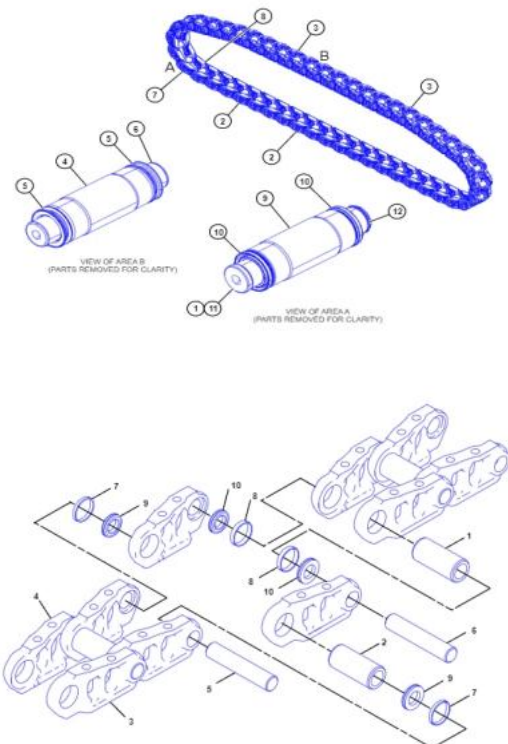


Main specification parameter for Track chains

Brand	Model	Product Name	Part Number	Assembly Quantity	Weight
Caterpillar	385B	Excavator Track Chains	1740216	1	2118kg


Compatible Equipment Models: 1740216

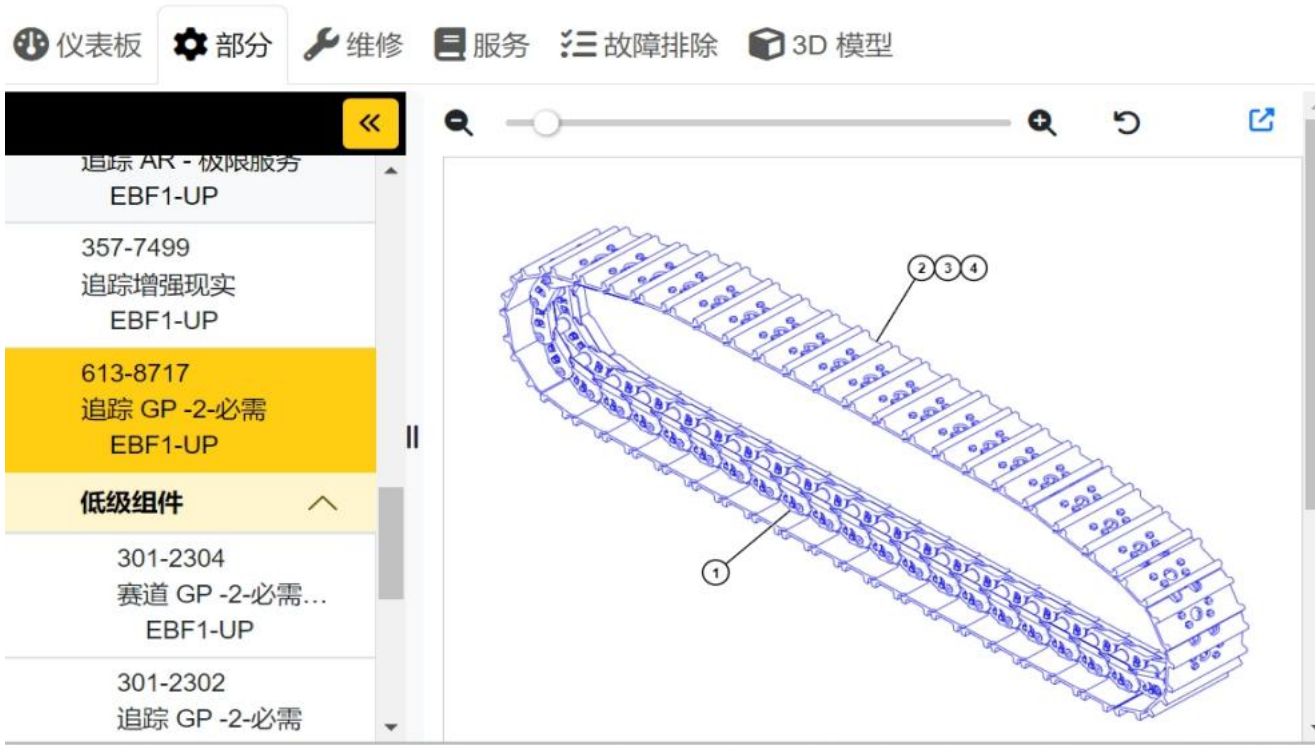
385B	365B II
-------------	----------------

Product Details


Product Name	Excavator Track Chains
Part Number	1740216
Origin	United States
Model	385B
Bolt size (mm)	30
Track pitch (mm)	260.4
Number of track sections	51
Quality Assurance	6-12 Month
Price	Negotiable
Brand Name	STONE
Packing Details	Standard Export Packing
Delivery Time	0-30 Days
Payment Term	L/C, T/T
Price Term	FOB, CIF, CFR
Supply Capacity	500 PCS/Month
Minimum Order Quantity	1 PC
Material	High Quality Steel
Technology	Precision Machining
Surface	Treatment Anti-Corrosion Coating
Quality	Original Factory Standard
After-Sales Service	Full Support, Online Service
Color	Standard Caterpillar Yellow or Customizable
Application	Excavator
Customizable	including customized materials, surface treatment and specifications

Track chains

1740216



STONE: Construction machinery parts expert in China



We are committed to providing a variety of parts including bulldozers, excavators and wheel loaders for well-known brands such as Carter and Komatsu. Our product line covers a full range of OEM parts, such as Track Chain, Track Rollers, Sprocket, Excavator Buckets, Blades, Excavator Cylinders, Swing Circles, and various electrical and hydraulic components to ensure that our customers' stringent requirements for quality and performance are met.



Stone (Shanghai) Engineering Machinery Co., Ltd. is a leading supplier of engineering machinery parts, focusing on providing high-quality parts for mining companies. Since its establishment in 2004, we have been based in Shanghai, China, and have built our own brand STONE, becoming a trusted choice in the industry.